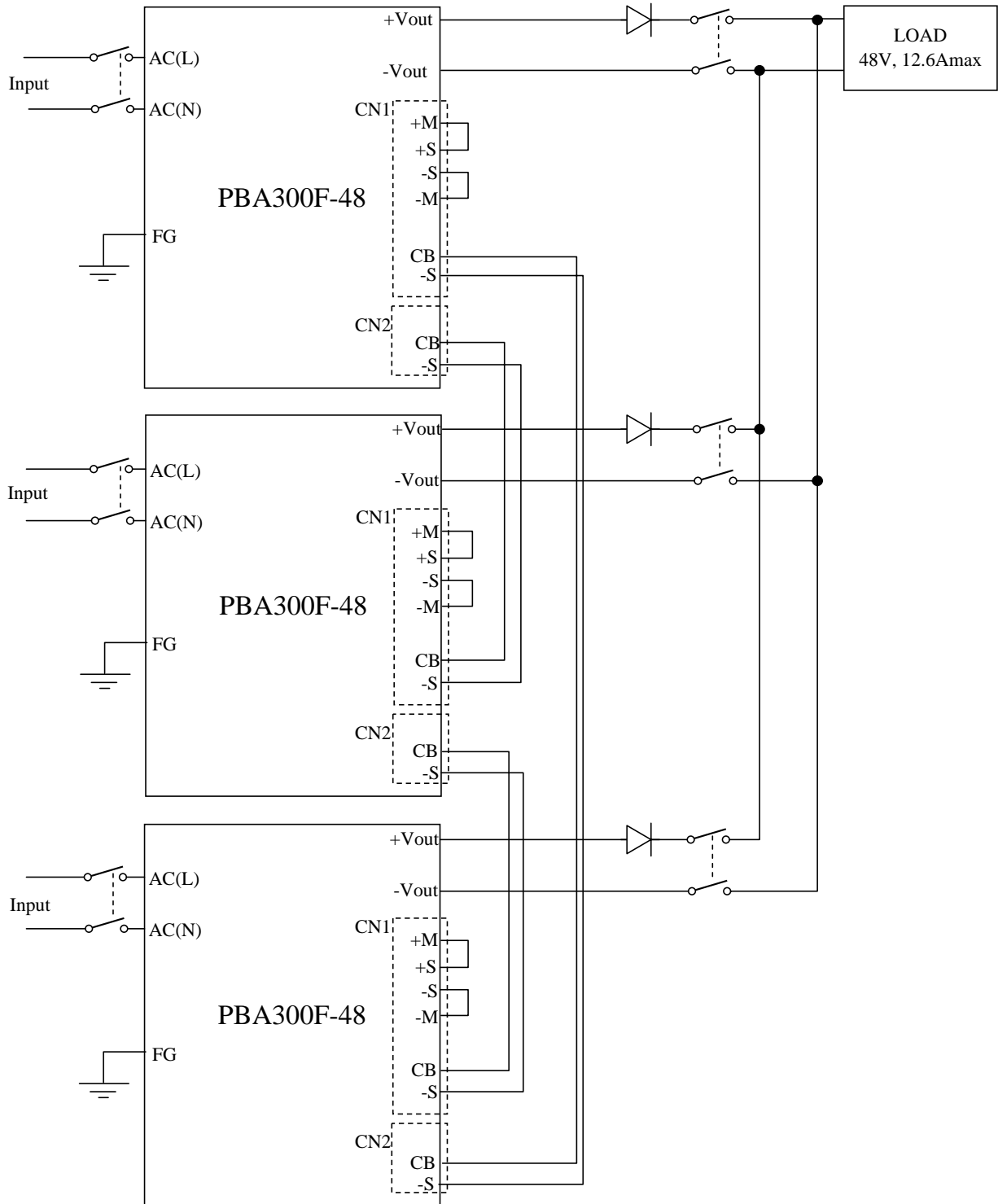


## Parallel redundancy operation

Model: PBA300F-48

N+1 parallel redundancy operation and current share



The power supply must be stopped by external switch before it is replaced to the new one.  
 When the power supply is failed, the other output voltages may change approximately 5% of rated voltage.  
 Please evaluate under end-use condition sufficiently before use.